



LUCCI AIRFUSION BREEZE WALL FAN

- **INSTALLATION**
- **OPERATION**
- **MAINTENANCE**
- **WARRANTY INFORMATION**

CAUTION
**READ INSTRUCTIONS CAREFULLY FOR SAFE
INSTALLATION AND FAN OPERATION.**


THANK YOU FOR PURCHASING

Thank you for purchasing this quality Lucci product. To ensure correct function and safety, please read and save all instructions before using the product.

SAFETY PRECAUTIONS

1. In Europe: This appliance can be used by children aged from 8 years and above and persons with reduced physical, sensory or mental capabilities or lack of experience and knowledge if they have been given supervision or instruction concerning the use of the appliance in a safe way and understand the hazards involved. Cleaning and maintenance shall not be undertaken by children without supervision.
2. In Australia: The appliance is not intended for use by persons (including children) with reduced physical, sensory or mental capabilities, or lack of experience and knowledge, unless they have been given supervision or instruction concerning the use of the appliance by a person responsible for their safety.
3. Children should be supervised to ensure that they do not play with the appliance.



4.  Do not dispose of electrical appliances as unsorted municipal waste, use separate collection facilities. Contact your local government for information regarding the collection systems available. If electrical appliances are disposed of in landfills or dumps, hazardous substances can leak into the groundwater and get into the food chain, damaging your health and well-being.
5. If the supply cord is damaged, it must be replaced by a special cord or assembly available from the manufacturer or its service agent.
6. Ensure that fan is switched off and unplug from the mains socket outlet before removing the guard for cleaning.
7. Do not operate any product with a damaged cord or plug, after the product malfunctions, is dropped or appears damaged in any way. Return the complete product to the place of purchase for inspection, repair or replacement.
8. Switch off and unplug from the mains socket outlet when not in use, before assembling or disassembling parts and before cleaning. Fully assemble the fan before switching on.
9. Avoid contact with moving parts. Do not insert any object through the grill when the fan is operating.
10. Do not cover the grill, or operate in close proximity to curtains, etc.
11. The structure to which the fan is to be mounted must be capable of supporting a weight of 20kg.
12. This fan is suitable for indoor use only.



PARTS LIST

Unpack your fan carefully. Examine all parts. You should have the following:

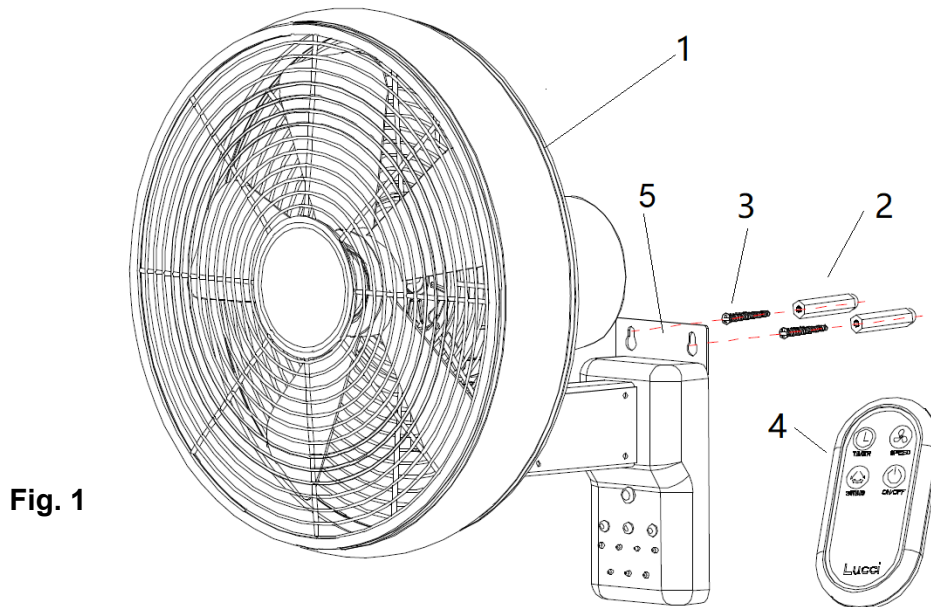


Fig. 1

| | | | |
|---|--------------------|---|---------------------|
| 1 | Fan assembly x 1 | 3 | Mounting screw x 2 |
| 2 | Plastic anchor x 2 | 4 | Remote x 1 set |
| | | 5 | Hanging bracket x 1 |

INSTALLING THE FAN

1. Use hanging bracket (5) as a template to mark the screw hole positions on the wall. Fig.1
2. Install the fan onto the wall using appropriate size mounting screws (3) and anchors (2). Ensure the mounting screws (3) and anchors (2) are suitable for the mounting surface and the surrounding environment.
3. Adjust the fan head tilt angle upwards or downwards to your desired angle by pushing or pulling the fan head. Take care to not damage the cord during adjustment.
4. Insert the plug into the mains socket outlet and ensure it is fully plugged in.

USING YOUR FAN

BATTERY INSTALLATION

2 x AAA 1.5V batteries are required to operate the remote control. Pull out the battery cover and install the batteries. Ensure the polarity is correct as shown in the battery compartment.

Fig. 2



OPERATING THE REMOTE



Fan ON/OFF Button: Press the button to turn the fan ON/OFF.



Fan Speed Button: Press the button change the fan speed at following order: Low speed → Medium speed → High speed.



Fan Timer Button: Press the button to activate the fan timer function, the fan will turn off after running 1 hour / 2 hours / 3 hours / 4 hour / 5 hours / 6 hours / 7 hours.



Fan Swing Button: Press the button to activate the fan oscillation function when fan is running.



OPERATING THE CONTROL PANEL



Infrared detector



Fan Speed Button: Press the button change the fan speed at following order: Low speed → Medium speed → High speed.



Fan Swing Button: Press the button to activate the fan oscillation function when fan is running.



Fan Timer Button: Press the button to activate the fan timer function, the fan will turn off after running 1 hour / 2 hours / 3 hours / 4 hour / 5 hours / 6 hours / 7 hours.



LED Indicators: The LED indicator on the fan body light up to indicate fan button has been pressed and fan function has been activated.



CARE AND CLEANING

CARE AND CLEANING:

- Periodic cleaning of your fan is the only maintenance required. Use a soft brush or lint free cloth to avoid scratching the paint finish. Please turn off the power switch and un-plug when you do so.
- Do not immerse your fan in the water. It could damage the motor or the blades and create the possibility of an electrical shock.
- Ensure that the fitting does not come in contact with any organic solvents or cleaners.
- To clean the fan blade, wipe with only a damp clean cloth with NO organic solvents or cleaners.
- The motor has a permanently lubricated ball bearing so there is no need to oil.

NOTE: Always turn OFF the power and unplug from the mains socket outlet before attempting to clean your fan.

TECHNICAL INFORMATION

| FAN models | Rated Voltage | Rated power (motor) | Speed control |
|------------|---------------|---------------------|---------------|
| 16" fan | 220-240VAC | 55W | 3 speeds |

